

V5088A

FLANGED LINEAR VALVE PN16 HIGH CLOSE-OFF PRESSURE RATING

SPECIFICATION DATA



Features

- Cast iron body with flanged end connections
- High Close-off Pressure Rating (1000kPa) & Low seat leakage rate
- Metal to metal seating for long life span
- Self adjusting packing
- Accurate positioning to ensure state of the art temperature control
- Directly coupled with electric actuators for easy mounting
- Approved according to DIN 32730

Specifications

Action	Stem down to close
Nominal pressure rating	PN16
Plug	Pressure balanced plug
Flow characteristic	Equal percentage
Rangeability	50:1
Leakage rate	≤0.1 % of kvs
Stroke	38 mm

General

These single seated valves are used for modulating control of hot or chilled water or steam in heating, ventilating and air conditioning systems and can be operated by electric linear actuators as ML6421, ML7421.

Valve body	
End connections	Flanged per ISO 7005-2
Material	Cast iron (GG25) for PN16

Dimensions	See Fig. 1
Trim	
Seat	Stainless steel, replaceable
Plug	Stainless steel, skirt guided
Stem	Stainless steel
Packing	Spring loaded PTFE V-rings

Medium temperature and pressure	
Water & Steam	
PN16	2 ... 120 °C : max. 1600 kPa 120 ... 150 °C : max. 1440 kPa 150 ... 200 °C : max. 1280 kPa 200 ... 220 °C : max. 1200 kPa

Sizes and flow capacities

OS#	Application	Valve Size		Kvs
V5088A1005	Water	PN16	DN100	160
V5088A2003	Steam			
V5088A1013	Water	PN16	DN125	250
V5088A2011	Steam			
V5088A1021	Water	PN16	DN150	360
V5088A2029	Steam			

Actuators

Electric actuators

Actuator (1800N)	Valve Size
ML6421B ML7421B	DN100 - DN150

Installation

- Water should meet VDI 2035 requirements.
- Do not install valve with stem below the horizontal.
- Fluid flow must correspond with the arrow direction on the valve body.
- The installation of a strainer is strongly recommended.

Close-off Pressure Ratings in kPa

Electric actuators

Actuator		Valve Size		
Model	Force	DN100	DN125	DN150
ML6421B, ML7421B	1800 N	1000	1000	1000

Dimensions (mm)

Valve

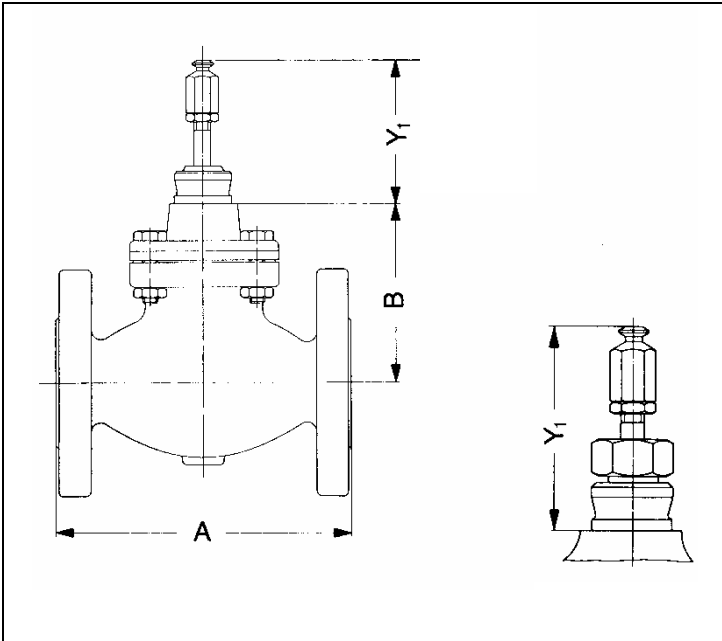


Fig. 1 V5088A

Valve Size	A	B	Y1
DN100	350	181	170
DN125	400	219	
DN150	480	219	

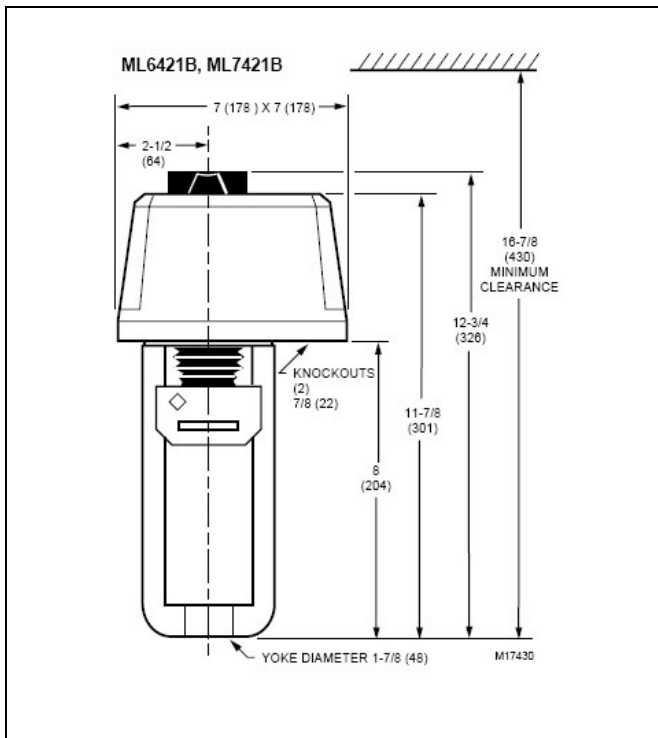


Fig. 2 ML6421B, ML7421B

Repair Packing Kit

Part No. 88609023 (for Water, DN100...150)
88609024 (for Steam, DN100...150)

a. for water application



b. for steam application



Honeywell

Automation and Control Solutions

Honeywell Taiwan Ltd.
9F, 168 Lien Cheng Road
Chung Ho City, Taipei County, Taiwan
Phone: +886-2-2243 1653
Fax: +886-2-2243 1244

Subject to change without notice. Printed in Taiwan